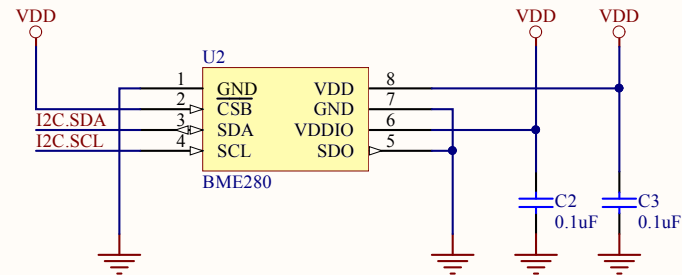
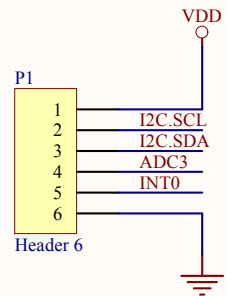
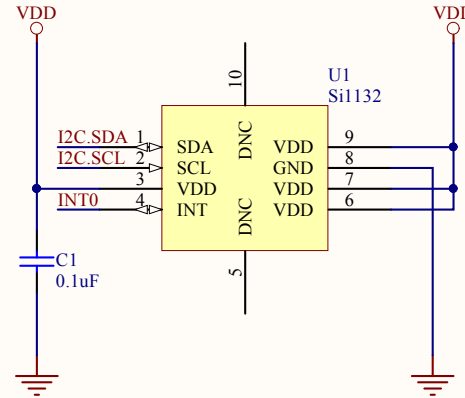
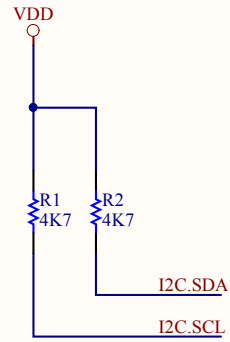



VDD input range : 1.75 to 3.55V



Title WEATHER_BOARD2			R&D PART 475-1 Manan-ro Manan-gu, Anyang-si Gyeonggi-do South Korea Designed by: David lee	
Size: A	Number:1	Revision:0.1		
Date: 2015-10-28	Time: 오후 6:14:08	Sheet1 of 1		
File: WEATHER2_BOARD.SchDoc				