
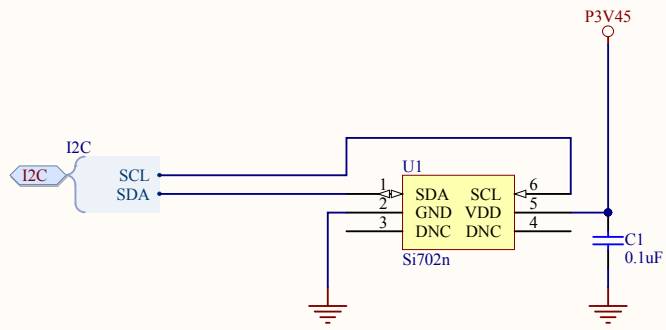
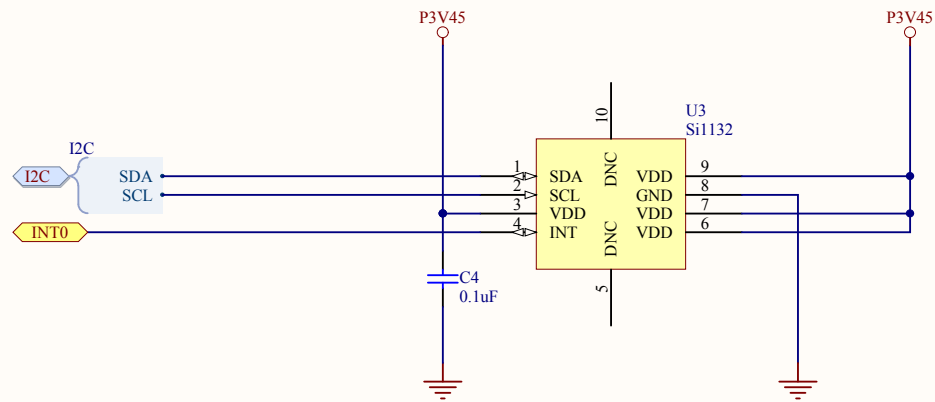


Title WEATHER_BOARD			<i>R&D PART</i> 704 Anyang K-center 1591-9 Burim Dongan Gu Gyeonggido South Korea	
Size: A4	Number: 1	Revision: 0.1		
Date: 2014-05-07	Time: 오후 7:48:27	Sheet 1 of 4		
File: E:\hw\hkl\etc\ODROID_SHOW\WEATHER-BOARD\WEATHER_BOARD.SchDoc				

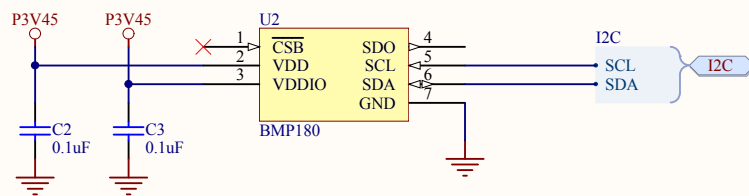



Title HUMIDITY_TEMPERATURE			R&D PART 704 Anyang K-center 1591-9 Burim Dongan Gu Gyeonggido South Korea	
Size: A4	Number: 1	Revision: 0.1		
Date: 2014-05-07	Time: 오후 7:48:27	Sheet 2 of 4	File: E:\hw\hk\etc\ODROID_SHOW\WEATHER-BOARD\HUMIDITY_TEMPERATURE.SchDoc	



Title UV_AMBIENT_LIGHT		R&D PART 704 Anyang K-center 1591-9 Burim Dongan Gu Gyeongido South Korea	
Size: A4	Number: 1	Revision: 0.1	
Date: 2014-05-07	Time: 오후 7:48:27	Sheet 3 of 4	
File: E:\hw\hk\etc\ODROID SHOW\WEATHER-BOARD\UV AMBIENT LIGHT.SchDoc			





Title PRESSURE			R&D PART 704 Anyang K-center 1591-9 Burim Dongan Gu Gyeonggido South Korea	
Size: A4	Number: 1	Revision: 0.1		
Date: 2014-05-07	Time: 오후 7:48:27	Sheet 4 of 4		
File: E:\hw\hkl\etc\ODROID SHOW\WEATHER-BOARD\PRESSURE.SchDoc				