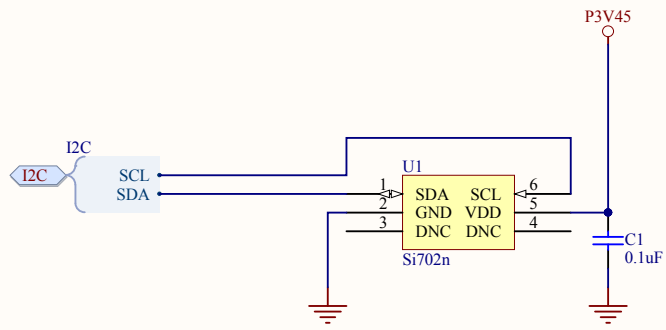
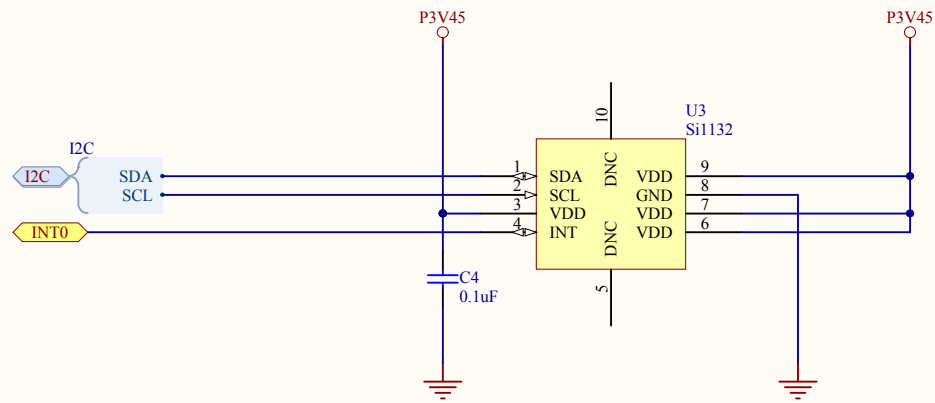



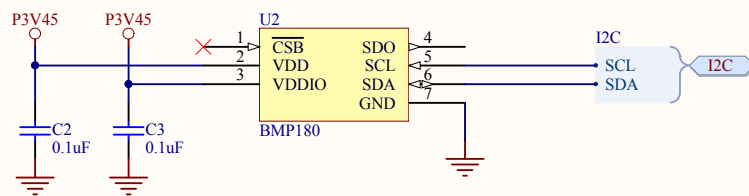
Title <b>WEATHER_BOARD</b>			R&D PART 704 Anyang K-center 1591-9 Burim Dongan Gu Gyeonggido South Korea	
Size: A4	Number: 1	Revision: 0.1		
Date: 2014-09-26	Time: 오전 2:30:05	Sheet 1 of 4		
File: E:\hw\hkl\etc\ODROID_SHOW\WEATHER-BOARD\WEATHER_BOARD.SchDoc				




Title <b>HUMIDITY_TEMPERATURE</b>			R&D PART 704 Anyang K-center 1591-9 Burim Dongan Gu Gyeonggido South Korea	
Size: A4	Number: 1	Revision: 0.1		
Date: 2014-09-26	Time: 오전 2:30:05	Sheet 2 of 4	File: E:\hw\hk\etc\ODROID SHOW\WEATHER-BOARD\HUMIDITY_TEMPERATURE.SchDoc	



Title <b>UV_AMBIENT_LIGHT</b>			R&D PART 704 Anyang K-center 1591-9 Birim Dongan Gu Gyeongido South Korea	
Size: A4	Number: 1	Revision: 0.1		
Date: 2014-09-26	Time: 오전 2:30:05	Sheet 3 of 4	File: E:\hw\hk\etc\ODROID SHOW\WEATHER-BOARD\UV AMBIENT LIGHT.SchDoc	



Title <b>PRESSURE</b>			R&D PART 704 Anyang K-center 1591-9 Burim Dongan Gu Gyeongido South Korea	
Size: A4	Number: 1	Revision: 0.1		
Date: 2014-09-26	Time: 오전 2:30:05	Sheet 4 of 4		
File: E:\hw\hkl\etc\ODROID SHOW\WEATHER-BOARD\PRESSURE.SchDoc				