

Mounting Holes


- MH1

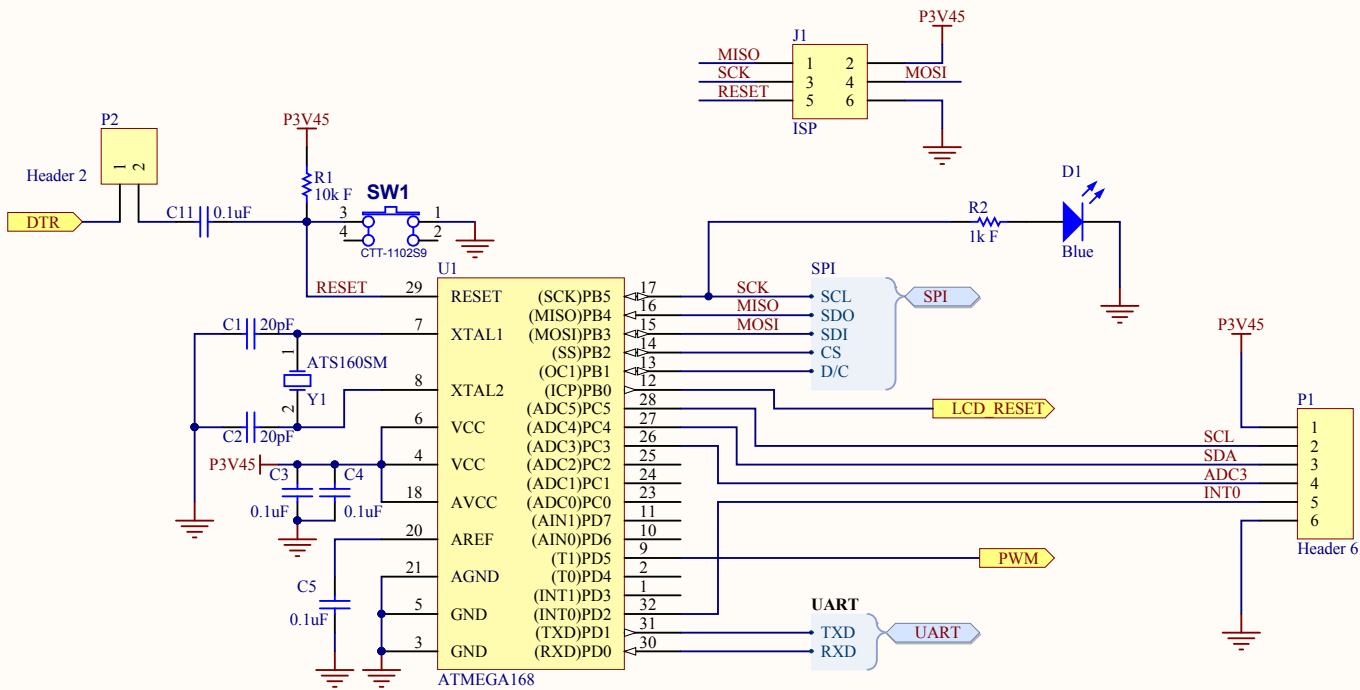
MOUNTING HOLE 3MM
- MH2

MOUNTING HOLE 3MM
- MH3

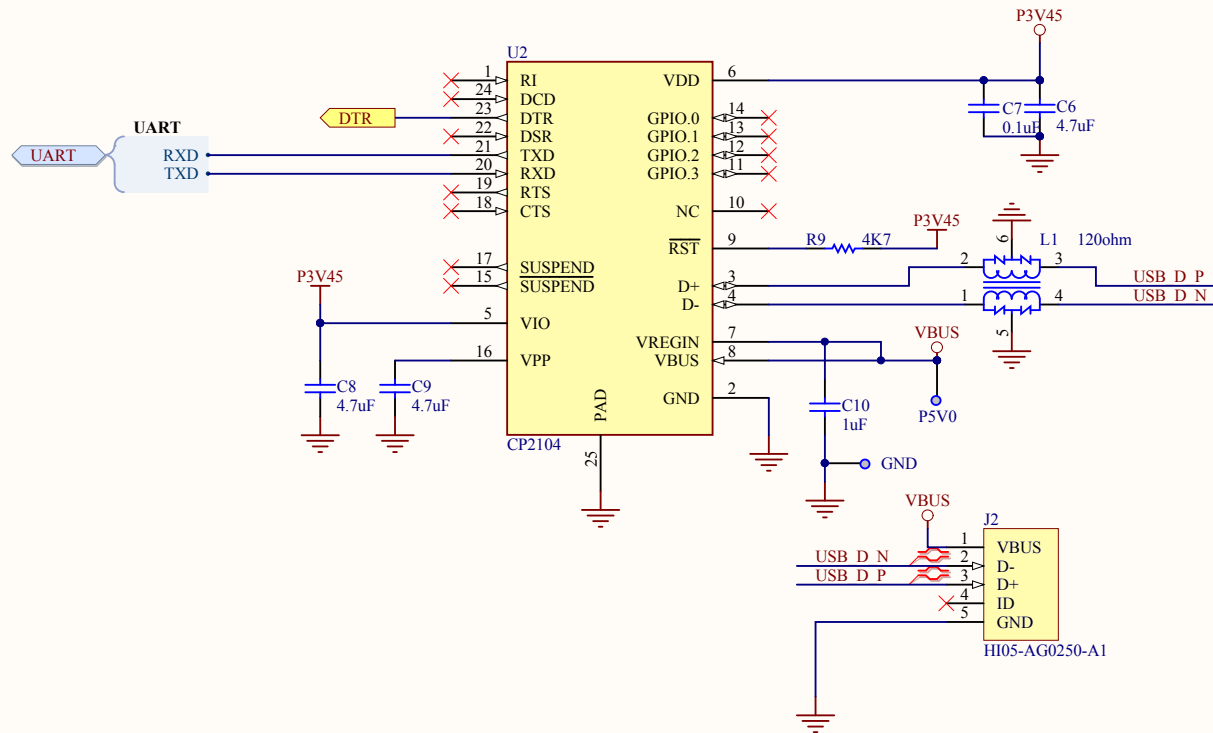
MOUNTING HOLE 3MM
- MH4

MOUNTING HOLE 3MM

Title ODROID_SHOW_MAIN		R&D PART 704 Anyang K-center 1591-9 Burim Dongan Gu Gyeonggido South Korea	
Size: A4	Number: 1		
Date: 2014-03-19	Time: 오후 5:30:05	Sheet 1 of 3	
File: E:\hw\hkl\etc\ODROID_SHOW\ODROID_SHOW_MAIN.SchDoc			



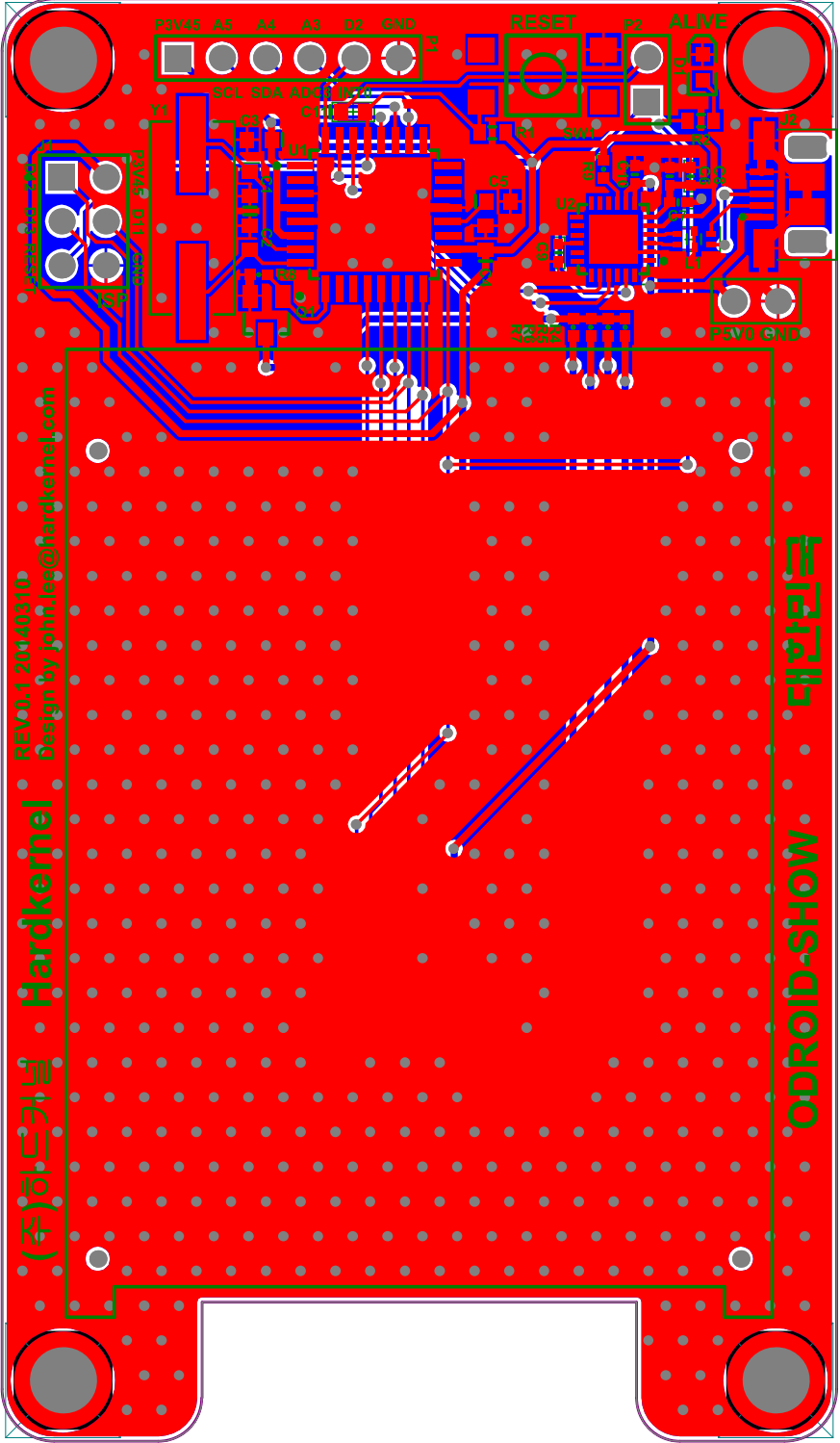
Title MCU_ATMEGA328		R&D PART 704 Anyang K-center 1591-9 Burim Dongan Gu Gyeonggido South Korea	
Size: A4	Number: 1	Revision: 0.1	ODROID
Date: 2014-03-19 Time: 오후 5:30:05	Sheet 2 of 3		
File: E:\hw\hkl\etc\ODROID SHOW\MCU_ATMEGA328.SchDoc			



Title USB_UART		R&D PART 704 Anyang K-center 1591-9 Burim Dongan Gu Gyeonggido South Korea	
Size: A4	Number: 1	Revision: 0.1	
Date: 2014-03-19	Time: 오후 5:30:05	Sheet 3 of 3	
File: E:\hw\hkl\etc\ODROID SHOW\USB_UART.SchDoc			



(주)하드카널 Hardkernel REV.0.1 20040310 Design by john.lee@hardkernel.com



ODROID-SHOW 대안민족