
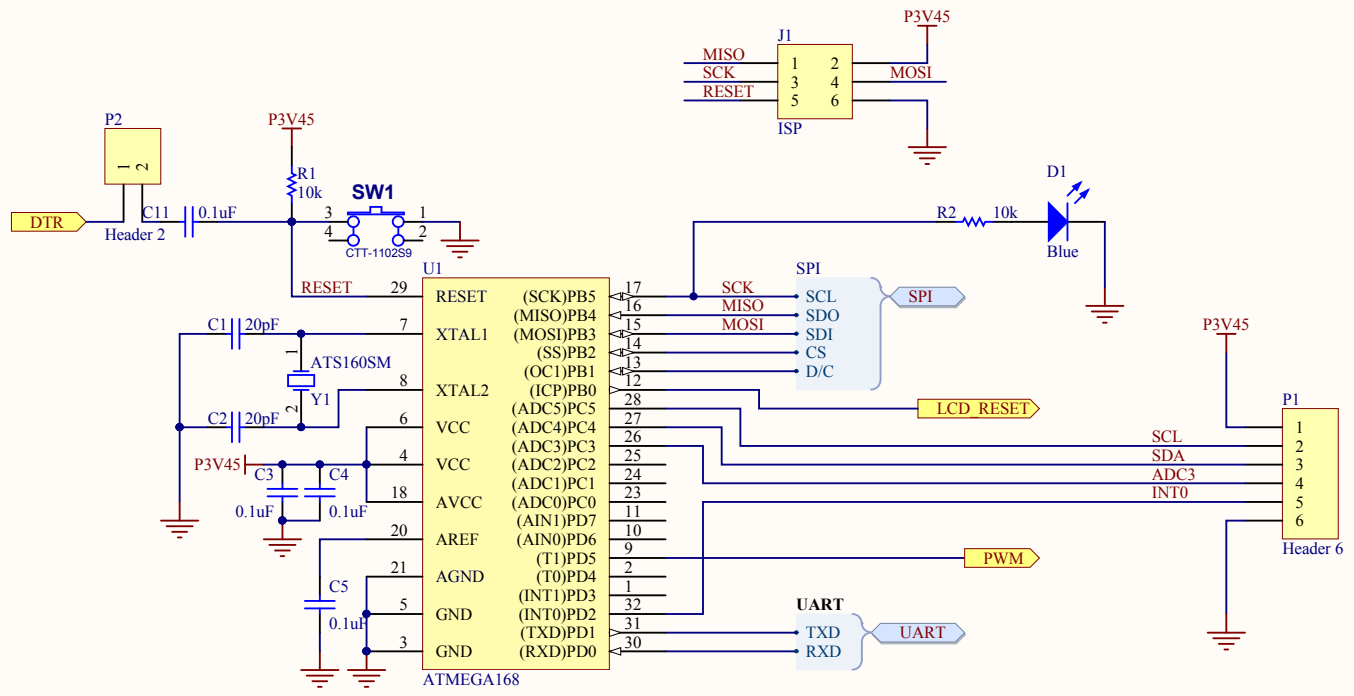


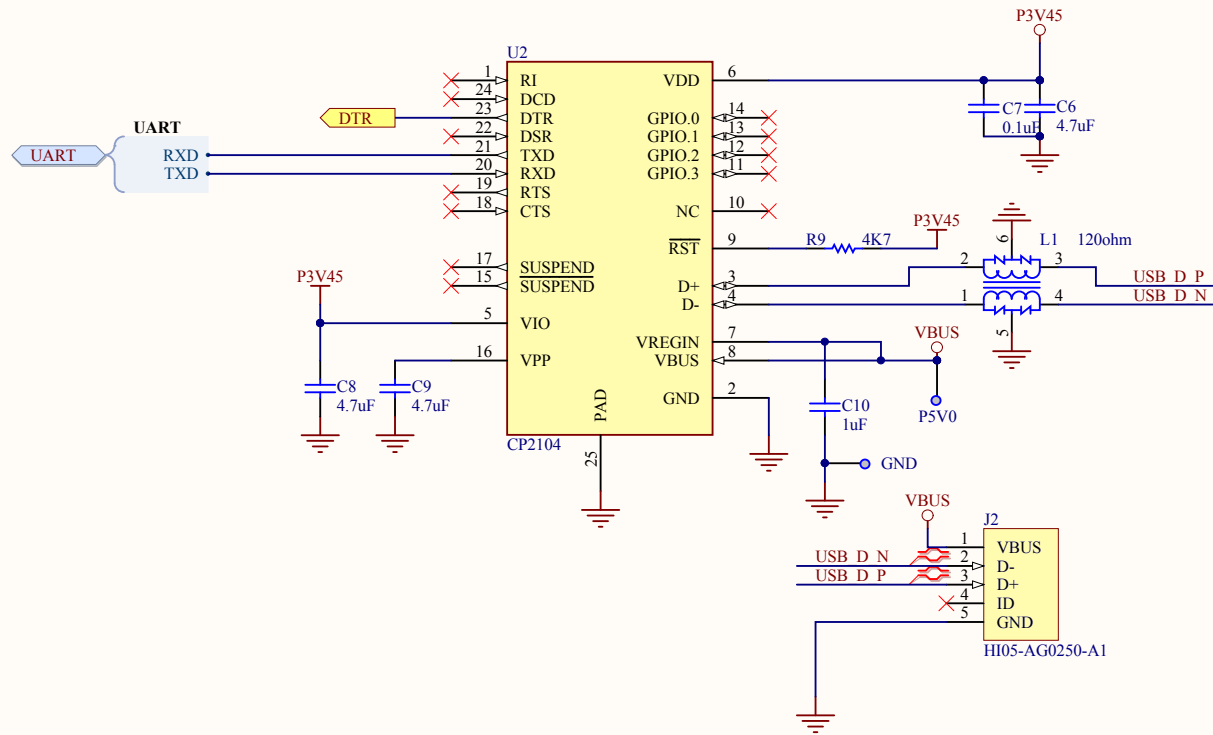
### Mounting Holes

- MH1  
 MOUNTING HOLE 3MM
- MH2  
 MOUNTING HOLE 3MM
- MH3  
 MOUNTING HOLE 3MM
- MH4  
 MOUNTING HOLE 3MM

Title <b>ODROID_SHOW_MAIN</b>		R&D PART 704 Anyang K-center 1591-9 Burim Dongan Gu Gyeonggido South Korea	
Size: A4	Number: 1		
Date: 2014-09-26	Time: 오전 7:25:12	Sheet 1 of 3	
File: E:\hw\hkl\etc\ODROID_SHOW\ODROID_SHOW_MAIN.SchDoc			



Title <b>MCU_ATMEGA328</b>		R&D PART 704 Anyang K-center 1591-9 Burim Dongan Gu Gyeonggido South Korea	
Size: A4	Number: 1	Revision: 0.1	<b>ODROID</b>
Date: 2014-09-26	Time: 오전 7:25:12	Sheet 2 of 3	
File: E:\hw\hkl\etc\ODROID SHOW\MCU_ATMEGA328.SchDoc			



Title <b>USB_UART</b>		R&D PART 704 Anyang K-center 1591-9 Burim Dongan Gu Gyeonggido South Korea	
Size: A4	Number: 1	Revision: 0.1	
Date: 2014-09-26	Time: 오전 7:25:12	Sheet 3 of 3	
File: E:\hw\hkl\etc\ODROID_SHOW\USB_UART.SchDoc			