

Mounting Holes


- MH1

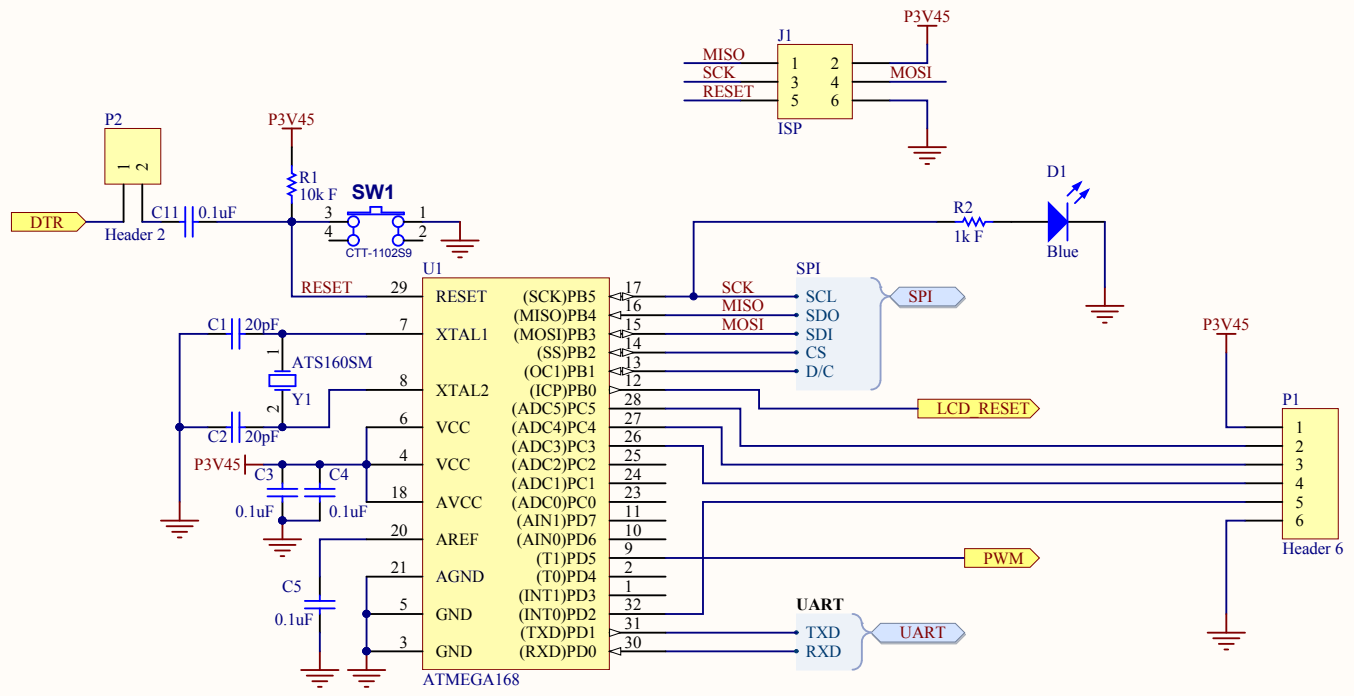
 MOUNTING HOLE 3MM
- MH2

 MOUNTING HOLE 3MM
- MH3

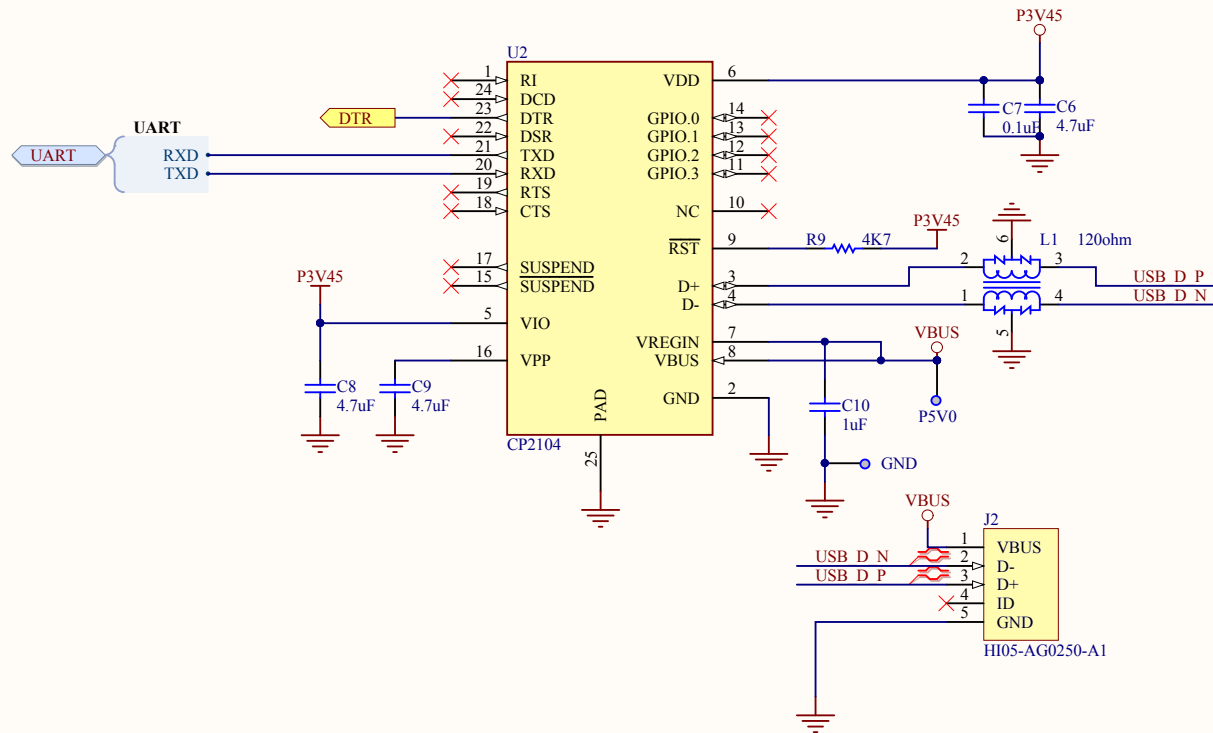
 MOUNTING HOLE 3MM
- MH4

 MOUNTING HOLE 3MM

Title ODROID_SHOW_MAIN		R&D PART 704 Anyang K-center 1591-9 Burim Dongan Gu Gyeonggido South Korea	
Size: A4	Number: 1		
Date: 2014-04-16	Time: 오전 11:56:44	Sheet 1 of 3	
File: E:\hw\hkl\etc\ODROID_SHOW\ODROID_SHOW_MAIN.SchDoc			



Title MCU_ATMEGA328		R&D PART 704 Anyang K-center 1591-9 Burim Dongan Gu Gyeonggido South Korea	
Size: A4	Number: 1	Revision: 0.1	ODROID
Date: 2014-04-16	Time: 오전 11:56:44	Sheet 2 of 3	
File: E:\hw\hkl\etc\ODROID_SHOW\MCU_ATMEGA328.SchDoc			



Title USB_UART		R&D PART 704 Anyang K-center 1591-9 Burim Dongan Gu Gyeonggido South Korea	
Size: A4	Number: 1	Revision: 0.1	
Date: 2014-04-16	Time: 오전 11:56:44	Sheet 3 of 3	
File: E:\hw\hkl\etc\ODROID SHOW\USB_UART.SchDoc			